



# Seymour Duncan®

## 11106-20-BNc

### LW-Must Live Wire Dave Mustaine Set

#### Installation Instructions

- 1) Remove strings from instrument.
- 2) Clip all existing wiring and remove potentiometers and jack.
- 3) Remove old pickups.
- 4) Install new potentiometers as shown in schematic.  
Change all pots to 100K (PT-010) for both volume and tone.
- 5) Install new stereo jack in place of old one.
- 6) Run a ground wire connecting the backs of all potentiometers to the sleeve lug.

#### WIRING (Refer to accompanying schematics)

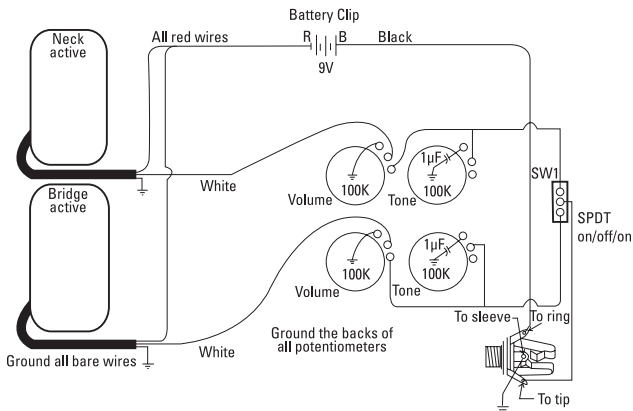
1. Strip 2" to 2-1/2" of outer insulation (jacket) from the cable, being careful not to cut into the foil shield underneath. Peel exposed foil back and remove.
2. Solder the bare drain wire to the back of the appropriate potentiometer. Be careful to avoid overheating. That would melt the insulation and cause a short circuit.
3. Solder white wire to wiper (center lug) of volume pot.
4. Solder the pickup red wire to the red wire of the battery clip.
5. Repeat step 1 through 4 for the other pickup.
6. Connect all potentiometers through a common ground wire to the ground lug of the jack (sleeve).
7. Solder the black wire from the battery clip to the ring lug of the jack.
8. Solder hot output from the potentiometers to the pickup selector switch.
9. Solder a wire from the common terminal of the pickup selector switch to the tip lug of the output jack.
10. Wire tone pot as shown in schematic.

#### SPECIFICATIONS

##### Metal Humbucker

- |                                 |                       |
|---------------------------------|-----------------------|
| - Pre-Amp type                  | - discrete transistor |
| - Gain                          | - 10dB                |
| - Power consumption             | - 200 micro-amps      |
| - Preamp Noise                  | - -94dBV              |
| ref to 10K ohm source impedance |                       |
| - Thd                           | -0.05%@1V out         |

Two Active Humbuckers



Thank you for choosing Seymour Duncan Live Wires. When installing your new pickups, please follow the enclosed instructions and wiring schematics carefully. If you have any problems or questions, call Seymour Duncan Customer Service at: (805) 964-9610.



5427 Hollister Ave.  
 Santa Barbara, CA 93111-2345  
 (805) 964-9610, FAX (805) 964-9749  
[www.seymourduncan.com](http://www.seymourduncan.com)

P/N 501020-105 Rev. B

**WARRANTY**

All active LIVE WIRE™ pickups are warranted against defects in workmanship and materials for a period of one year from the date of purchase to the original purchaser. This warranty is not transferable. Defective parts will be repaired or replaced without charge if the product is returned to the Seymour Duncan factory, at the address below. When returning, make sure to include a copy of the bill of sale. Transportation charges involved in warranty service are the sole responsibility of the purchaser. This Warranty does not apply to damage caused by misuse, mishandling or negligence in use- Seymour Duncan reserves the right to be the sole judge as to the misuse or abuse of the product. Any warranties implied by law are limited to the duration of this express limited warranty. Some states do not allow limitation on how long an implied warranty lasts or the exclusion or limitation on incidental or consequential damages, so the above limitations may not apply to you. This warranty gives you specific legal rights, and you may also have other rights which vary from state to state.