

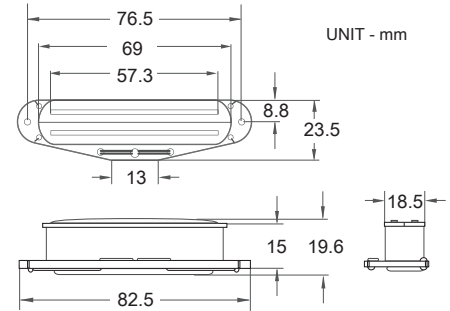
PLASMA-RS2

The new PLASMA-RS2 was designed for a musician that was seeking the ultimate powerful humbucking sound for his Stratocaster type guitar! Our engineers did just that and came up with 3 identical pickups that give the musician power and sound. This small single sized hot rail type humbucking pickup will give you more than you'll ever have imagined, sound, tone, output and balance.

You may try this RS-2 pickup on any position, neck, middle or bridge.



D.C.Resistance	Resonant Peak	Spacing	Output Level	Tone Chart:
11.5 kohm	4.1 kHz	57.3 mm	HIGH	



MORE INFORMATION

Type: DUAL COIL

Copper Wire: PLAIN ENAMEL

Magnet: CERAMIC(BAR)

4-CONDUCTOR WIRE:

RED-HOT

WHITE & BLACK-CENTER

GREEN & SHIELD-GROUND

PICKUP COLOR:

BLACK

MUSIC STYLES:

ROCK, METAL, POP

Neck & Middle & Bridge