



Wiring Diagram for Pickup Models:

BLACKOUTS™

AHB-1 Active Humbuckers
All 6 and 7 string models

MICK THOMSON / EMTY™ SIGNATURE BLACKOUTS

AHB-3 MickT Blackouts

LIVE WIRE™ CLASSIC II HUMBUCKER Active System Guitar Pickups

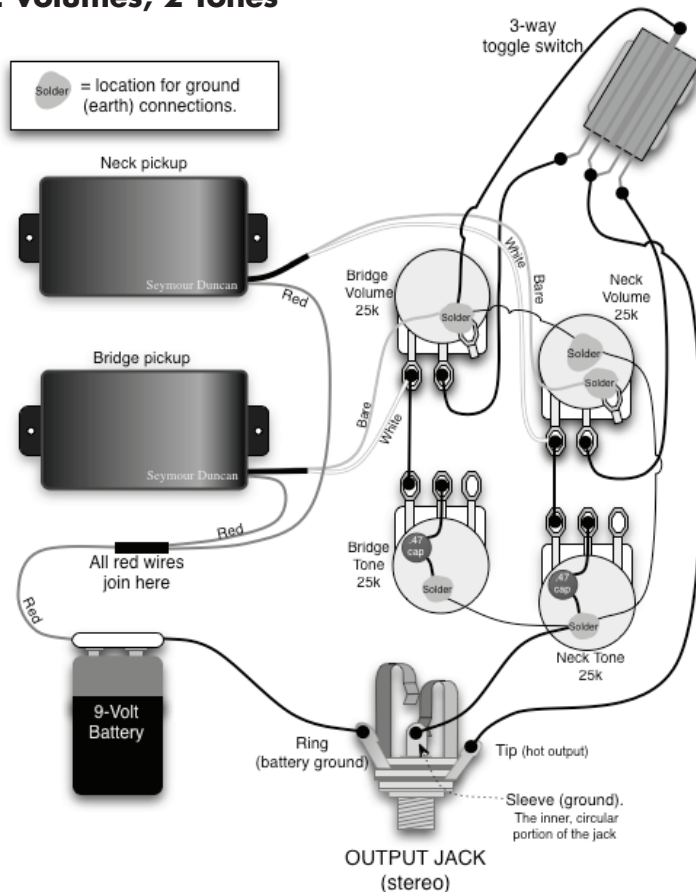
5427 hollister avenue, santa barbara, ca 93111
tel 805.964.9610 fax 805.964.9749
www.seymourduncan.com

Congratulations on your purchase of a fine, hand-built, Seymour Duncan electric guitar pickup! Installing this pickup in your guitar isn't rocket science. And, if you're already handy with tools, it'll be a snap for you—and fun too! But if you have no experience handling red-hot soldering irons, you'd be well advised to take your new pickup and your trusty guitar to a qualified guitar tech.

The basic installation steps include:

1. Remove the strings from your guitar.
2. Remove the pickguard, or mounting ring, and control plate cover from your guitar.
3. De-solder the original pickup's wires and be sure to remember where they were connected.
4. Remove the original pickup from the pickguard or mounting ring.
5. Install the Seymour Duncan pickup into the pickguard or mounting ring.
6. If your original pickups were passive, remove the original pots and output jack, and replace them with the provided 25k pots and stereo output jack.
7. Install the new 25k pots and stereo jack, and connect them as shown, depending on your control set up. If your guitar is already equipped with 25k pots, and has active pickups with quick connector cables, then you can simply unplug the original active pickup from the quick connector, and plug in your new active Blackout using the quick connector plug that is located on the bottom of each Blackout.
8. Tin the wires from your Seymour Duncan pickup, and then solder them in place.
9. Connect the red wires from all pickups to the red wire from the battery clip.
10. Connect the black wire from the battery clip to the ring terminal of the output jack.
11. Re-attach the pickguard or mounting ring to the top of the guitar, and replace any control panel plates.
12. Re-string your guitar and adjust the pickup height so that your pickups balance with one another. The bridge pickup should be between 1/8" and 1/16" from the strings when they are pressed down at the highest fret---then adjust the neck (or neck and middle) pickups to get an even output balance.

2 Volumes, 2 Tones

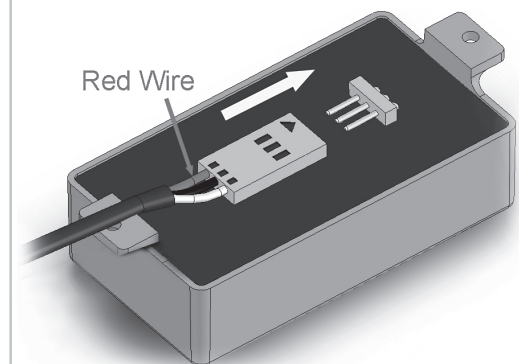


LONG SHAFT POTS ARE AVAILABLE
If you have a guitar that requires long-shaft potentiometers we will gladly send you four long-shaft pots (with all of the nuts & washers) free of charge.:

U.S. CUSTOMERS
email your shipping address to:
wiring@seymourduncan.com
or call (805) 964-9610 ext 501

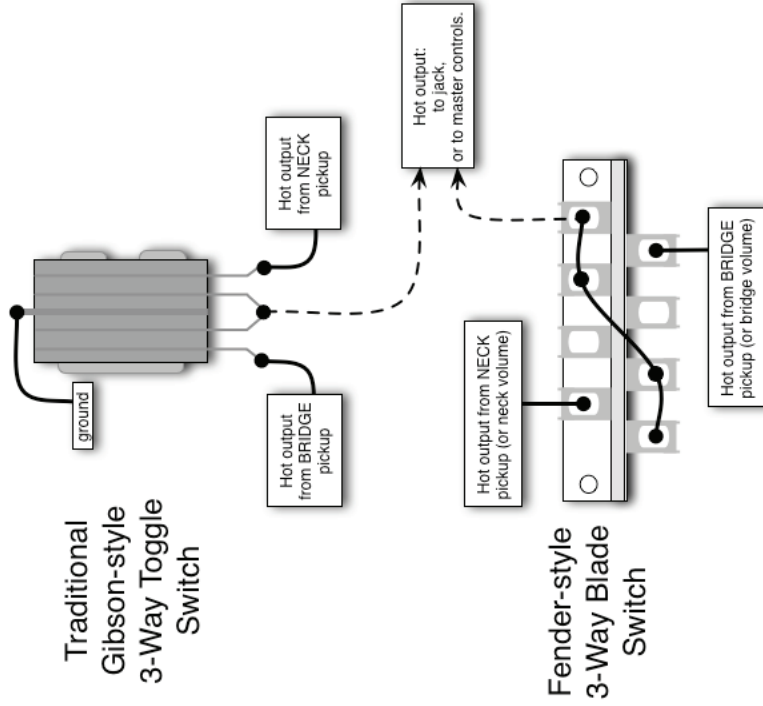
NON U.S. CUSTOMERS
Visit our website to obtain the contact info
for the Seymour Duncan distributor in your
part of the world: seymourduncan.com.

Using the quick connector system



1 Volume, 1 Tone

3-Way Switch Translation



We do not recommend combining active and passive pickups in the same guitar. There are enough differences in the way they work, and in the components they use, that the result is usually problematic.

Stereo output jacks are often wider than most mono output jacks, and this can cause them to come into contact with the inside of your guitar's control cavity. If your guitar has been shielded internally (with shielding paint or copper tape), any contact between the jack and the shielding can cause the output of your guitar to greatly diminish, or short out completely. This will not cause any harm to your pickups, but it will cause the guitar to not work properly. So check to make sure that your stereo output jack is not touching the inside of your guitar.

