

**Seymour
Duncan®**

**Wiring Diagram for
All Seymour Duncan
Humbucker Pickup Models**

5427 hollister avenue, santa barbara, ca 93111
Tel. 805.964.9610 Fax. 805.964.9749
www.seymourduncan.com

Congratulations on your purchase of a fine, hand-built, Seymour Duncan electric guitar pickup.

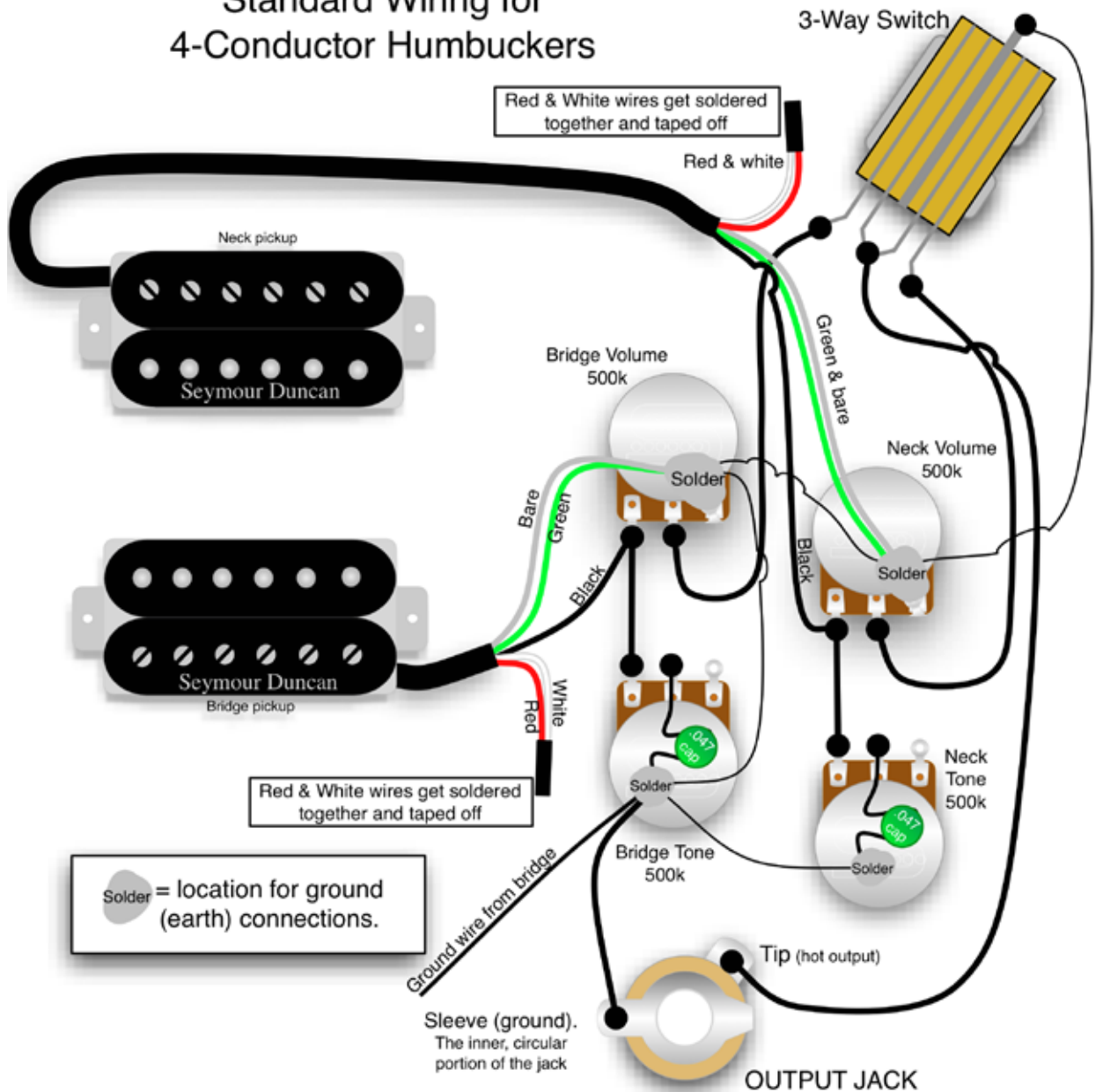
Installing this pickup isn't complicated. If you're handy with tools, it will be a simple and fun project. But if you have no experience handling red-hot soldering irons, we recommend having a qualified guitar tech install your pickup.

Basic Installation:

1. Remove the strings from your guitar.
2. Remove the back plate and flip it over.
3. De-solder the original pickup's wires from the controls. Be sure to remember where they were connected. A photo or sketch may help.
4. Remove the original pickup from the pickup cavity.
5. Put the Seymour Duncan pickup into the pickup cavity.
6. Tin the wires from the Seymour Duncan pickup, and then solder them into place.
7. Replace the back plate.
8. Restring your guitar.
9. Adjust the pickup height. Your pickup should be between 1/8" and 1/16" from the strings when the strings are pressed down at the highest fret.

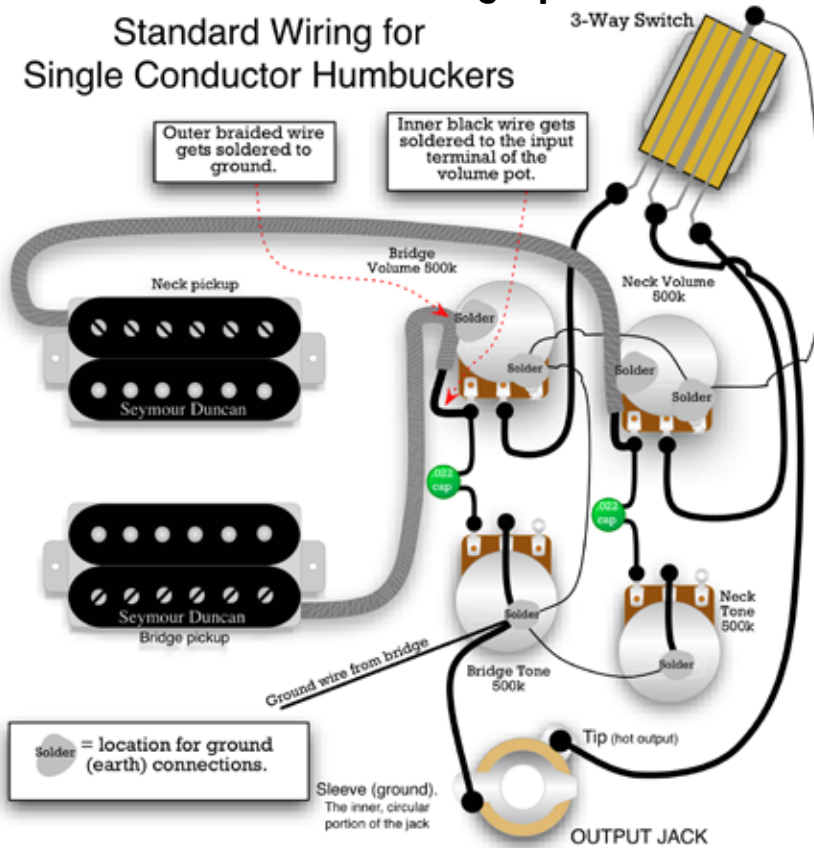
Visit seymourduncan.com for additional wiring diagrams.

**Standard Wiring for
4-Conductor Humbuckers**

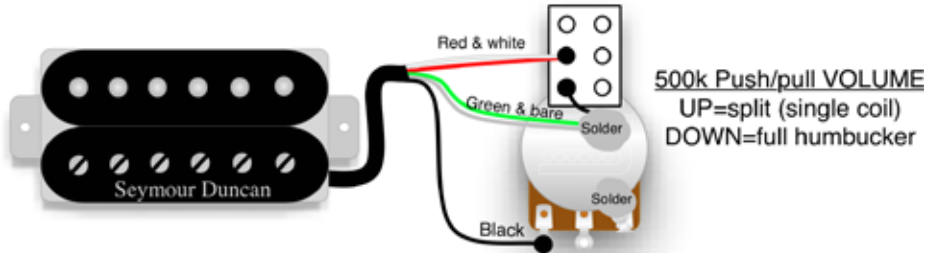


Additional Wiring Options

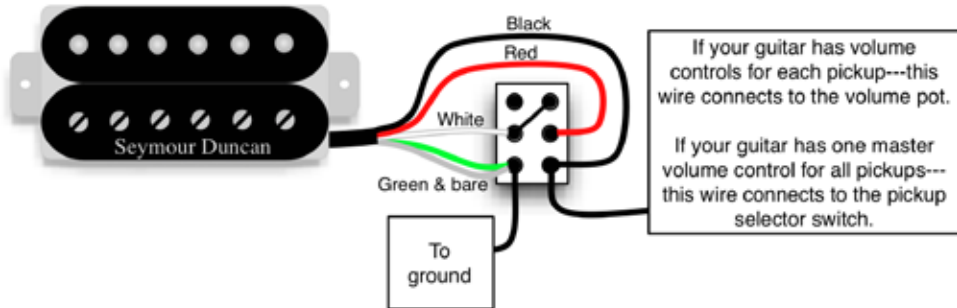
Standard Wiring for Single Conductor Humbuckers



Coil Splitting



Series/Parallel (with Push/Pull) Series/Split/Parallel (with on/on/on mini-toggle)



Phase Switching

