

The installation of the Basslines™ Tone Circuit™ 3-band EQ system is a straightforward process requiring minimal tools and reasonable proficiency in soldering and following wiring diagrams. If you are unsure of your soldering ability or unfamiliar with basic electronic wiring methods, it is advisable to employ the services of a competent tech. The standard control configuration comes prewired. This is done to simplify installation. However, several additional wiring configurations are shown in order to demonstrate other possibilities. By applying the basic hookup information to other combinations of stacked or push-pull pots, further variations can be achieved. In this way it is easy to customize the control set-up to meet the needs or preferences of the individual player.

## Wiring Diagram for Pickup Models:

### Tone Circuits™

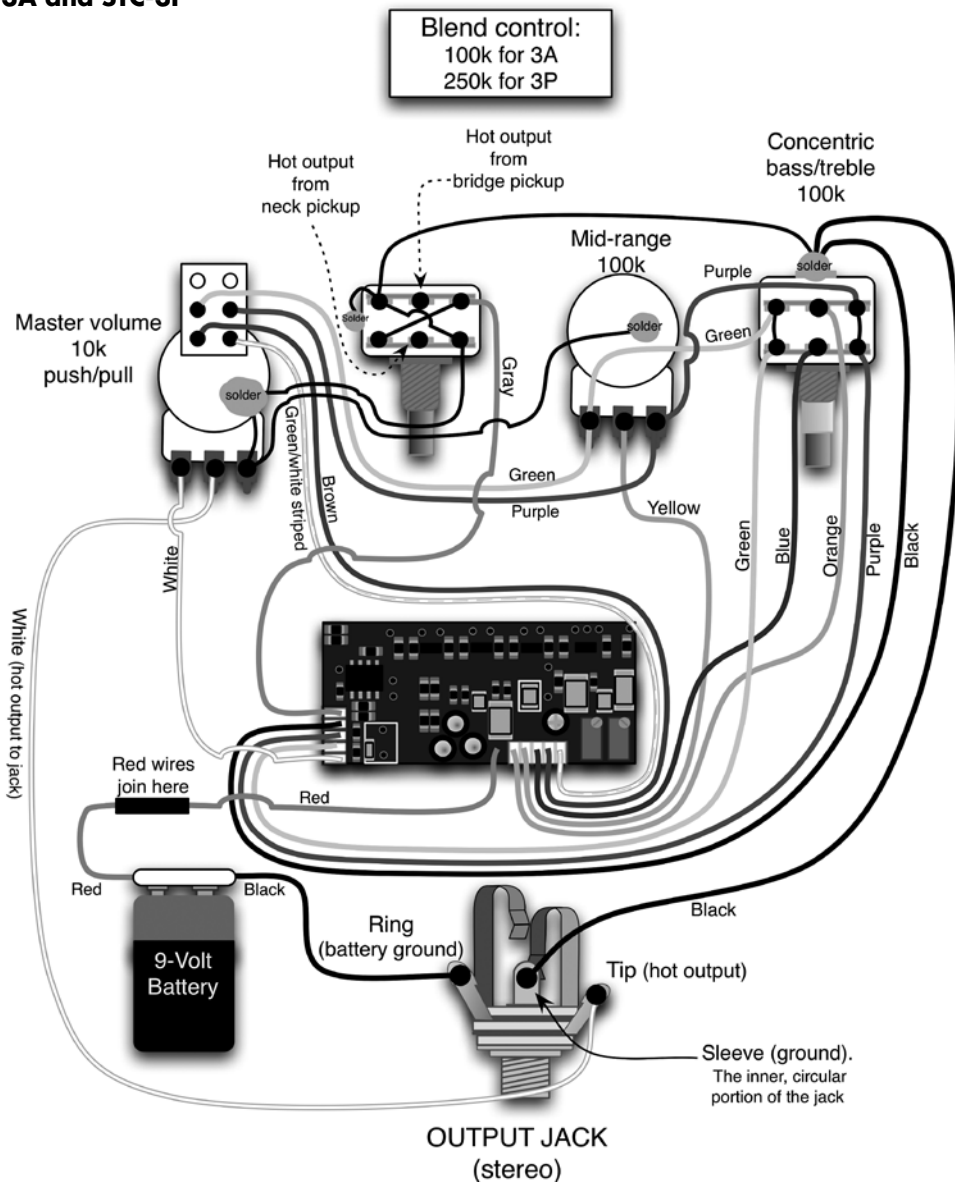
2 & 3-Band Active EQ Preamps for Bass  
STC-2A, STC-2P  
STC-3A, STC-3P

5427 hollister avenue, santa barbara, ca 93111  
tel 805.964.9610 fax 805.964.9749  
www.basslines.com

### The basic steps for installation include:

- Proper operation depends on proper hookup of all connections; observe color codes and wire locations carefully.
1. Remove any old pots that will not be used in this new installation.
  2. Remove the two plastic connectors with the hookup wires and pots attached. Note that the connector housings have been color coded in order to facilitate returning each connector to its proper location after all hookup has been completed. Avoid excessive bending and flexing of the connections to the pots.
  3. Carefully install the new pots in the proper locations.
  4. If you are installing the Basslines™ EQ system in a bass containing passive pickups, it will be necessary to install a stereo output jack at this time. The stereo output jack provides a means of switching the battery power off automatically when the instrument cord is removed from the bass, thus prolonging the life of the battery. The jack is included with the passive version of the Tone Circuit™. Refer to Fig. 3 for proper hook-up of the jack included with the system.
  5. Solder the remaining connections as indicated on the standard hookup diagram. You may notice that the red and black wires do not appear on the diagram. The red wire is +9V and is soldered to battery hot and insulated with shrink tubing or tape. The black wire which connects the shells of all the potentiometers is soldered to the ground connection of the jack. Battery black is connected to the ring terminal of the stereo output jack.
  6. Double check all of your connections, then re-install the two connectors in the circuit board making sure to return them to the proper location.
  7. Attach the preamp to the control cavity of your instrument using the Velcro™ strip provided. Be sure there are no components that are shorted to the sides or backs of the pots.

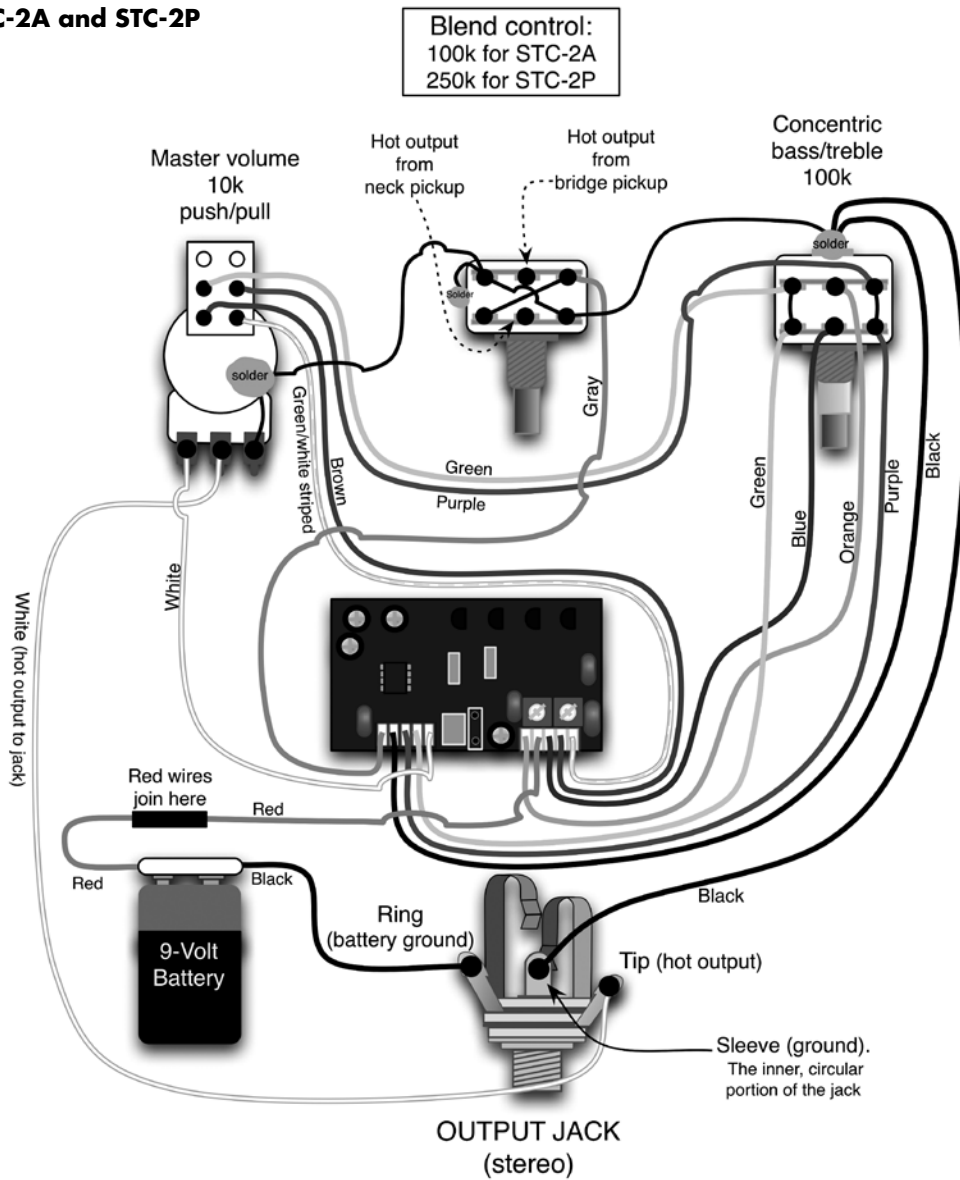
Fig. 1 STC-3A and STC-3P



### What's the difference?

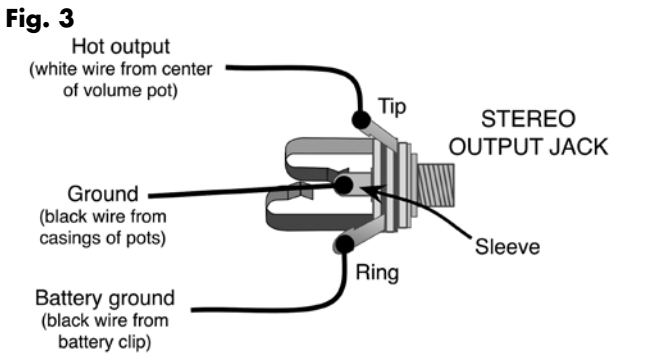
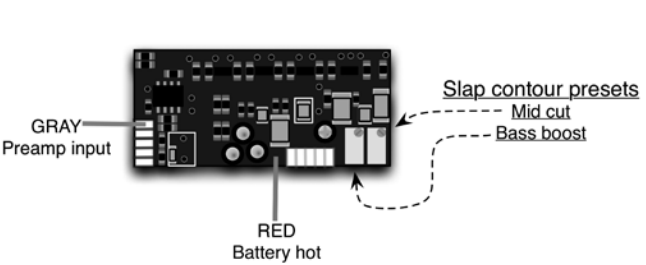
The STC-3P and STC-2P are designed for use with passive pickups. The STC-3A and STC-2A are designed for use with active pickups. The main difference between the P-models and the A-models is the value of the blend control. The P-models use a 250k blend, and the A-models use a 100k blend. The 3P and 3A models are both 3-band tone circuits which, in addition to the master volume and blend controls, have midrange, bass, and treble (the bass and treble are combined on a stacked pot). The 2P and 2A models are both 2-band tone circuits, and do not have a midrange control---just bass and treble (stacked).

**Fig. 2 STC-2A and STC-2P**



**Slap Contour Adjustment**  
 The switchable slap contour is preset at the factory but it can be fine-tuned to suit individual taste. It is possible to preset the amount of bass boost or midrange cut by adjusting the trimpots located on the circuit board.

**Output Jack Hookup Detail**



**We're not just pickups anymore. Seymour Duncan also makes super cool stompboxes. And our sister company, D-TAR, is turning out some really hip products for serious acoustic guitarists (d-tar.com).**

Visit [basslines.com](http://basslines.com) for additional wiring diagrams.

