

COMPLEX COIL SPLITTING FOR TWO HUMBUCKERS

In this case we have another position calibrated set. A HV-58 vintage alnico unit at the NECK position and the more powerful, but still distinctly vintage HVX at the BRIDGE position.

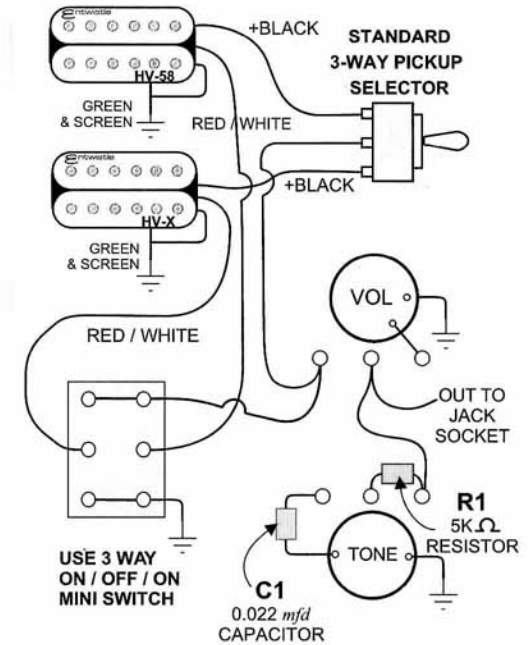
This switching delivers the two outer coils 3-way pickup switch) in the UP position, full humbucking in the CENTRE and the two inner coils (not variable) in the DOWN position.

Most humbucking circuits have a tendency to use 500K Log potentiometers on tone controls.

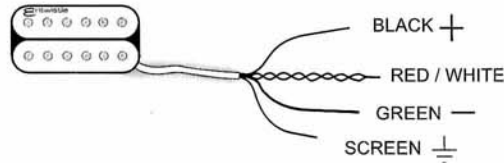
This limits functional tracking, and at least one major guitar manufacturer has now reduced this to 300K Log on their range.

It is actually quite acceptable to drop this to 250K as R1, the 5K Resistor has a limiting factor on top end losses.

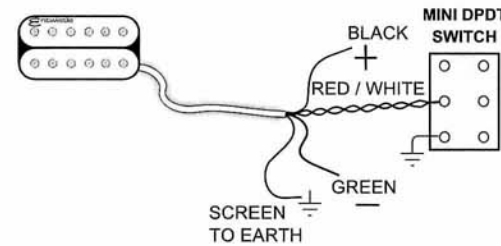
COMPLEX COIL SPLITTING FOR TWO HUMBUCKERS



STANDARD NON-SPLIT



SIMPLE SPLIT COIL



PLEASE NOTE
We recommend that our pickups and other electronic units are wired only by a professional guitar technician.

HUMBUCKING UNITS

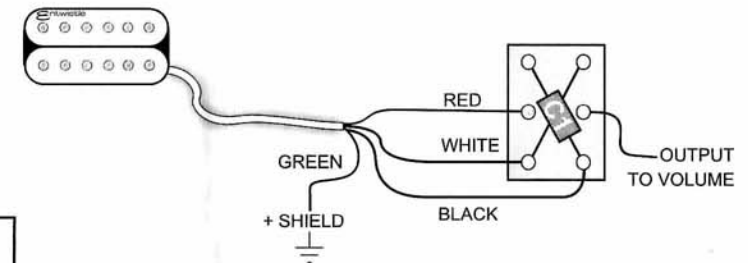
The following covers all humbucking models in the current range. All of our humbuckers are fitted with four core and screen cable to facilitate a wide range of pickup options.

PARTIAL PHASING

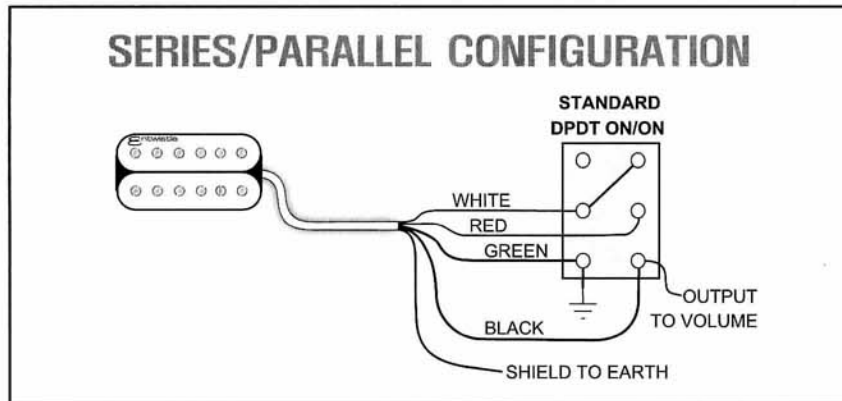
Here is a circuit where a humbucker is wired out of phase with itself, except that a 0.002 capacitor is wired into the circuit so that the pickup is not fully out of phase.

The result tends to give a BETTER SINGLE COIL SOUND than if the pickup were split in the conventional way.

PARTIAL PHASING



SERIES/PARALLEL CONFIGURATION



MEMO

For example . . .

STANDARD NON-SPLIT

SIMPLE SPLIT COIL

COMPLEX COIL SPLITTING
FOR 2 HUMBUCKERS