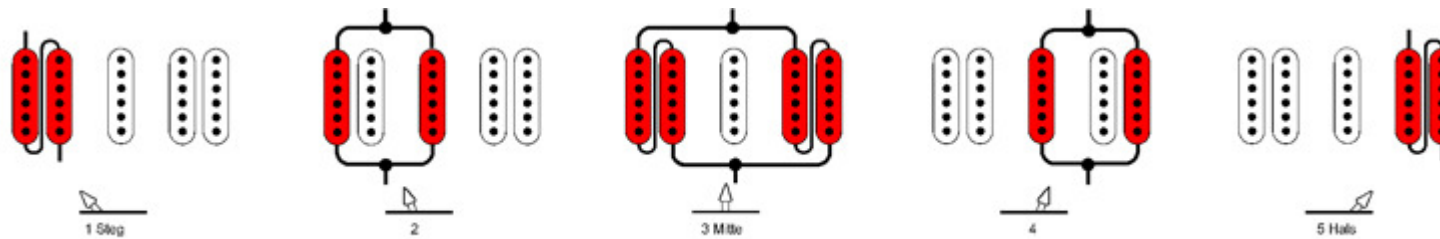


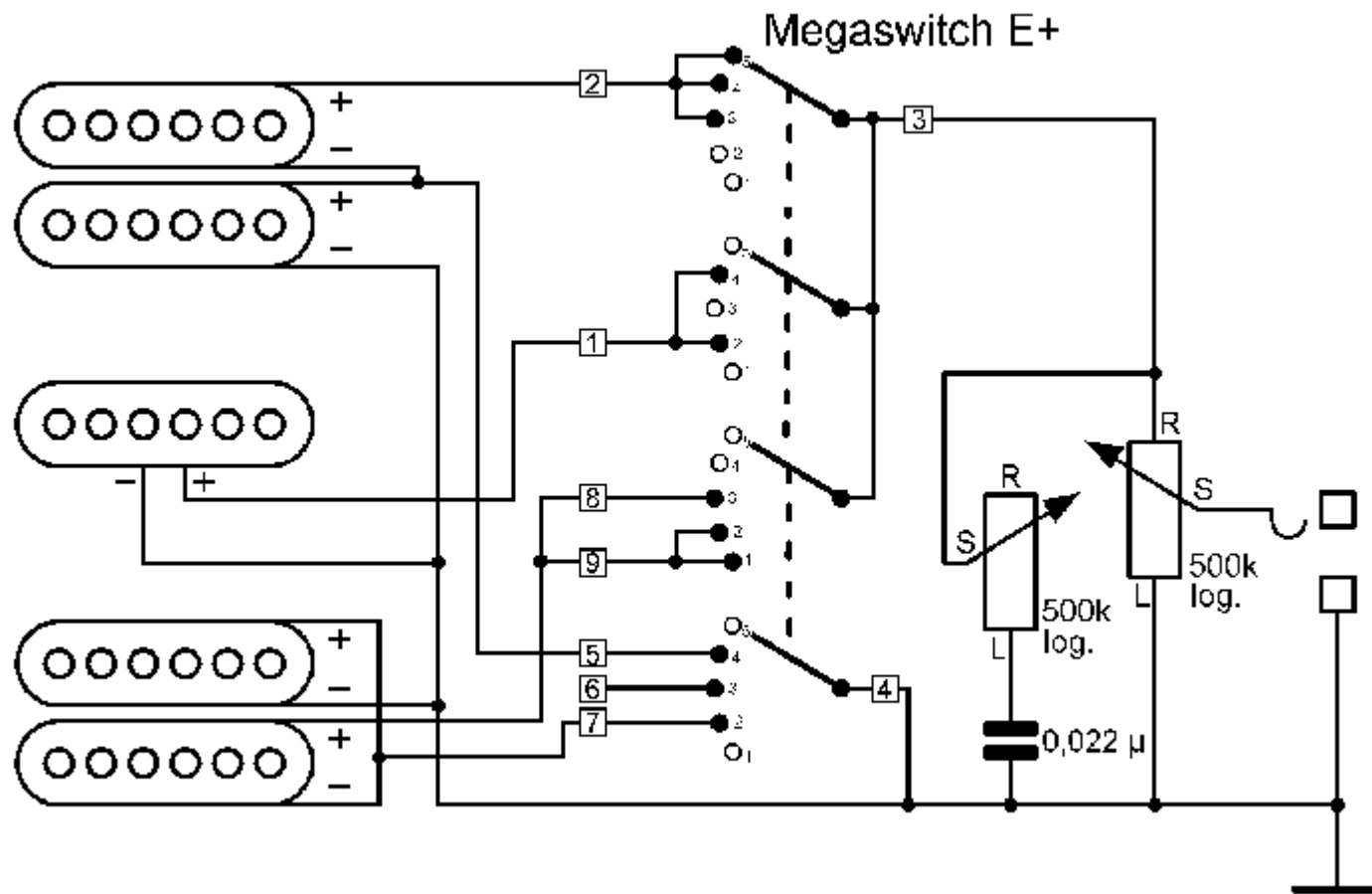
Megaswitch E+

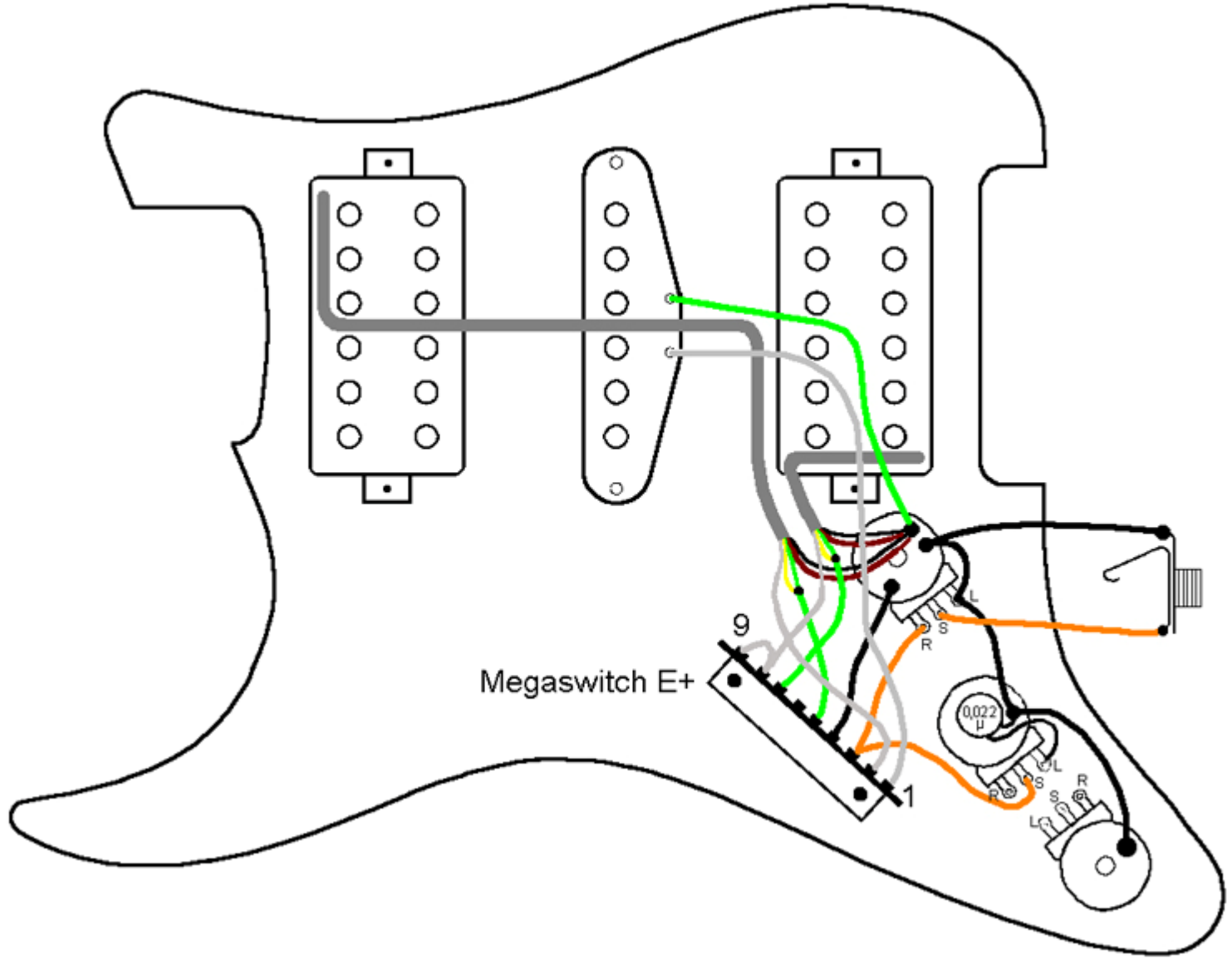
You can use Megaswitch E+ for the following switching positions:

HSH5

This is a variation of the HSH4 switching system. The positions 1, 2, 4 and 5 are as usual and in position 3, both Humbuckers are switched parallel. This results in a fuller, louder sound than splitting. A buzz-free sound can be obtained in all positions; the following magnetic polarity is required - NS-S-SN or SN-N-NS. The Megaswitch E+ is ideal for this purpose.

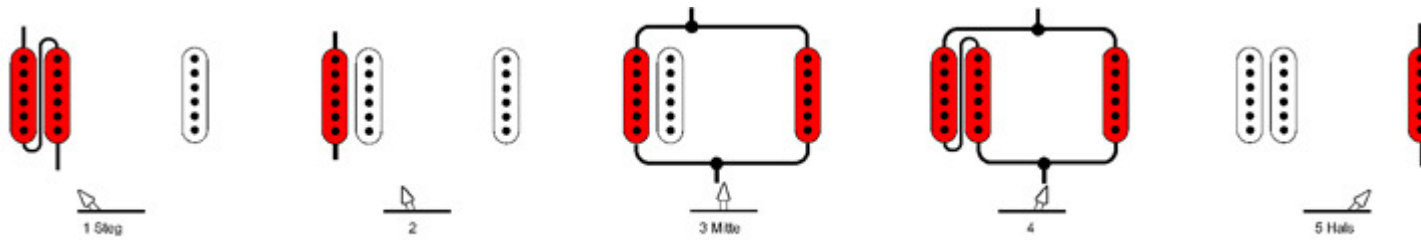


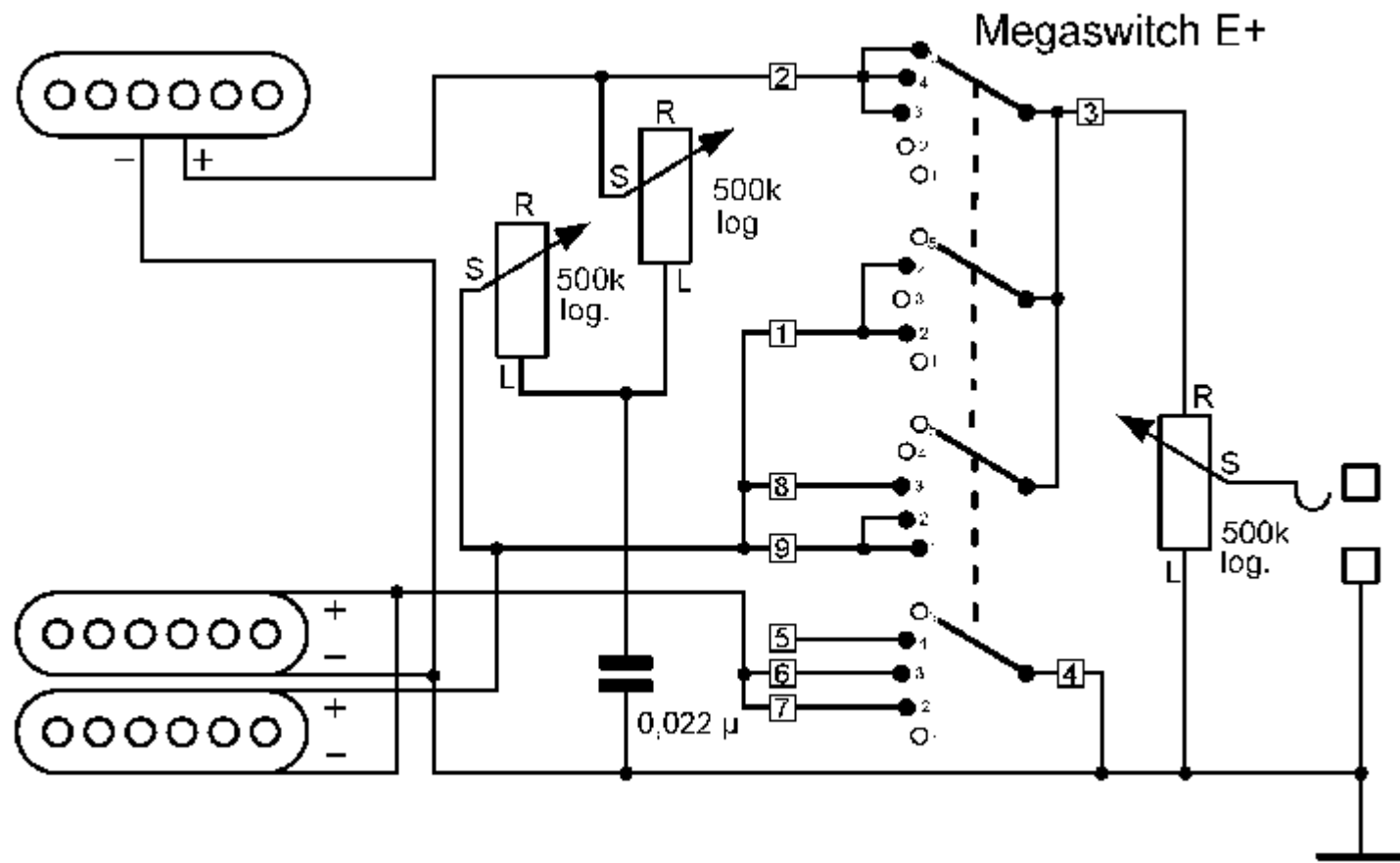


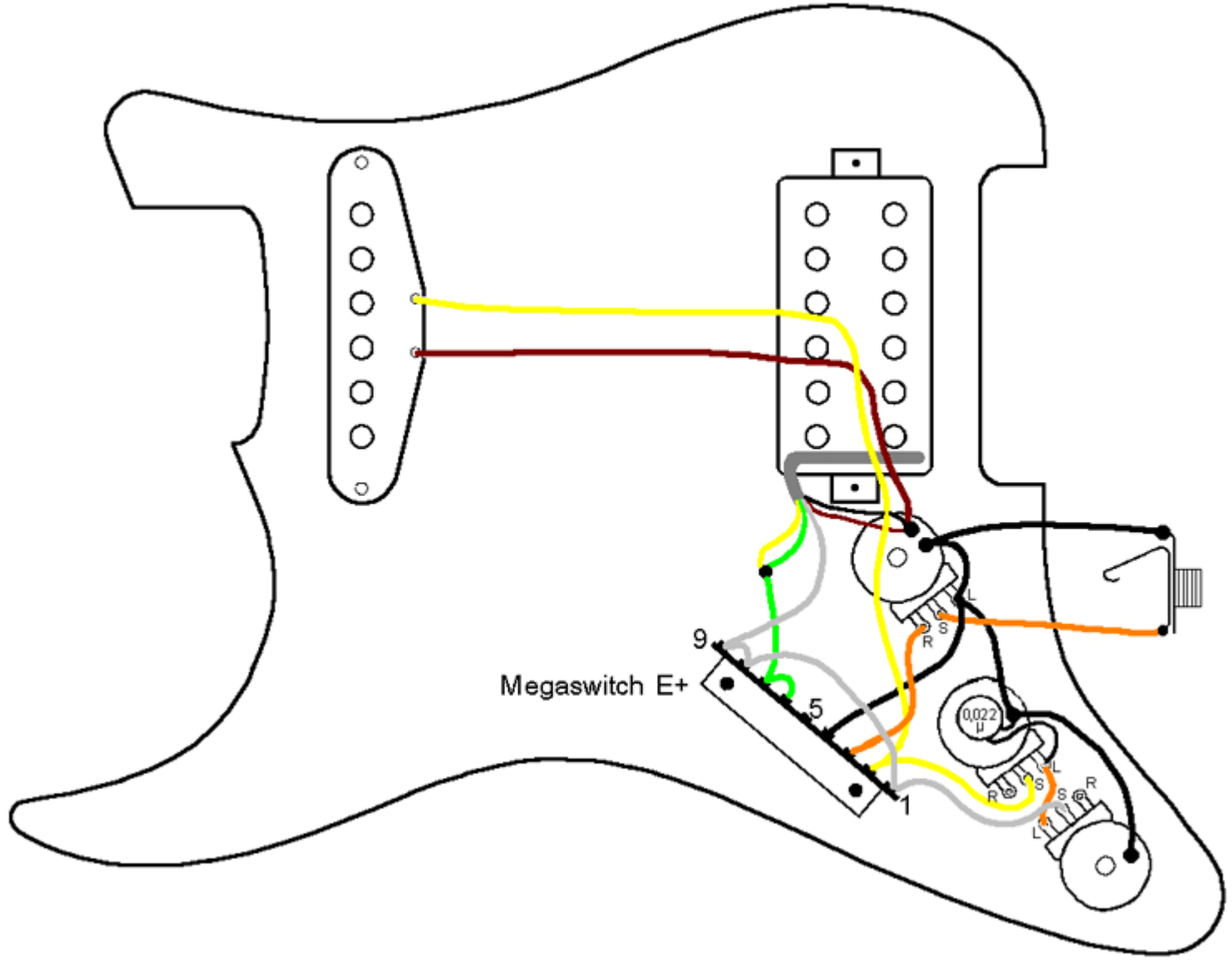


HS2

This switching system is for guitars with a Humbucker on the bridge and a single coil on the neck. It allows the humbucker to be split while the outer coil remains active. The inner one is short-circuited. If a buzz-free sound is desired in position 3, the magnetic polarity must be NS-S or SN-N. A Megaswitch E+ is required here.







Megaswitch E+

9

5

1

0.022
μ

R

S

L

R

S

L

R

S

L

R

S

L

R

S

L

R

S

L

R

S

L

R

S

L

R

S

L

R

S

L

R

S

L

R

S

L

R

S

L

R

S

L

R

S

L

R

S

L

R

S

L

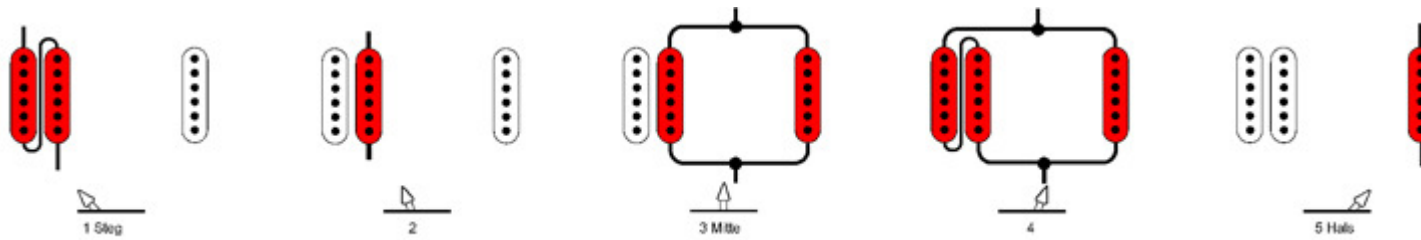
R

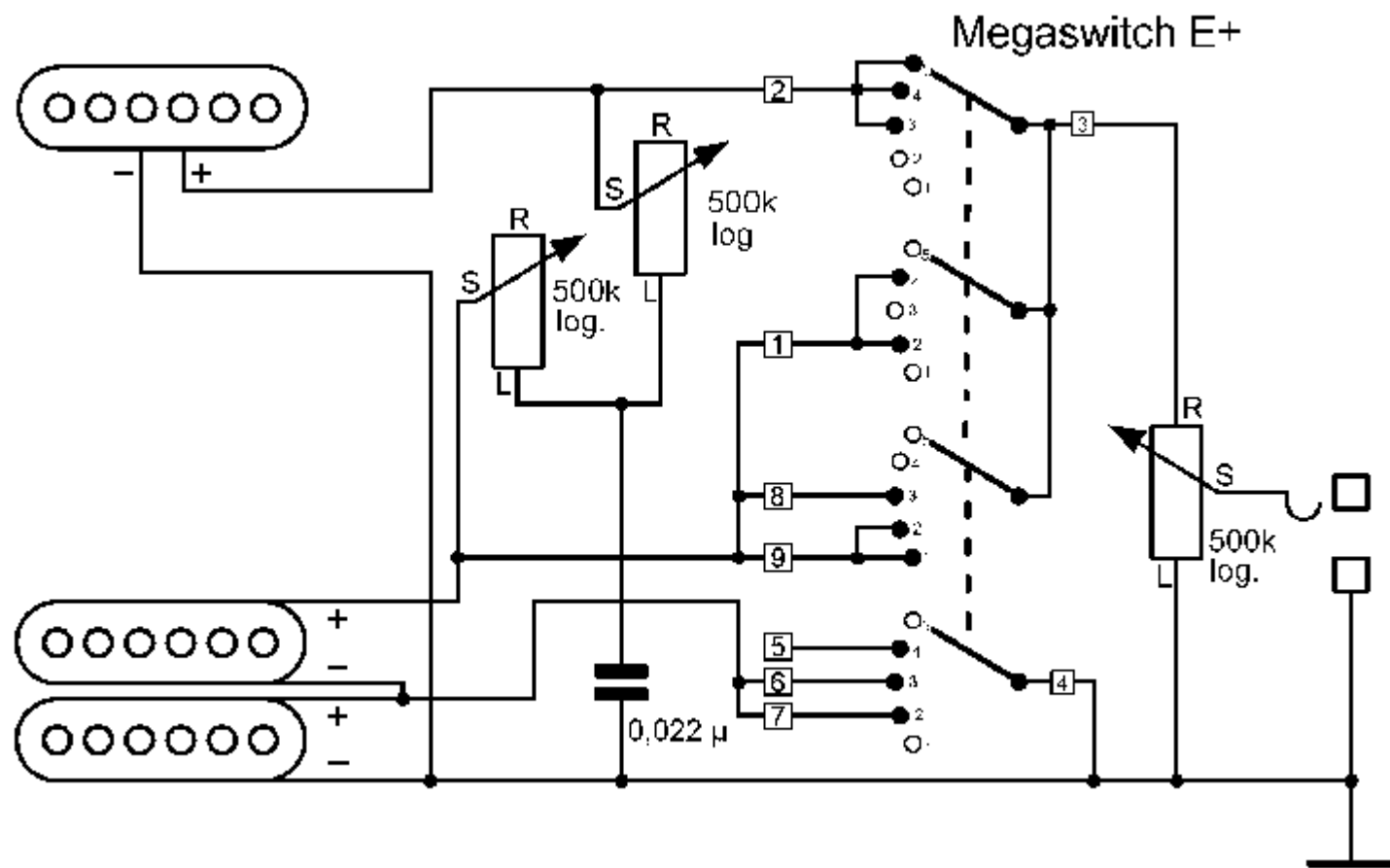
S

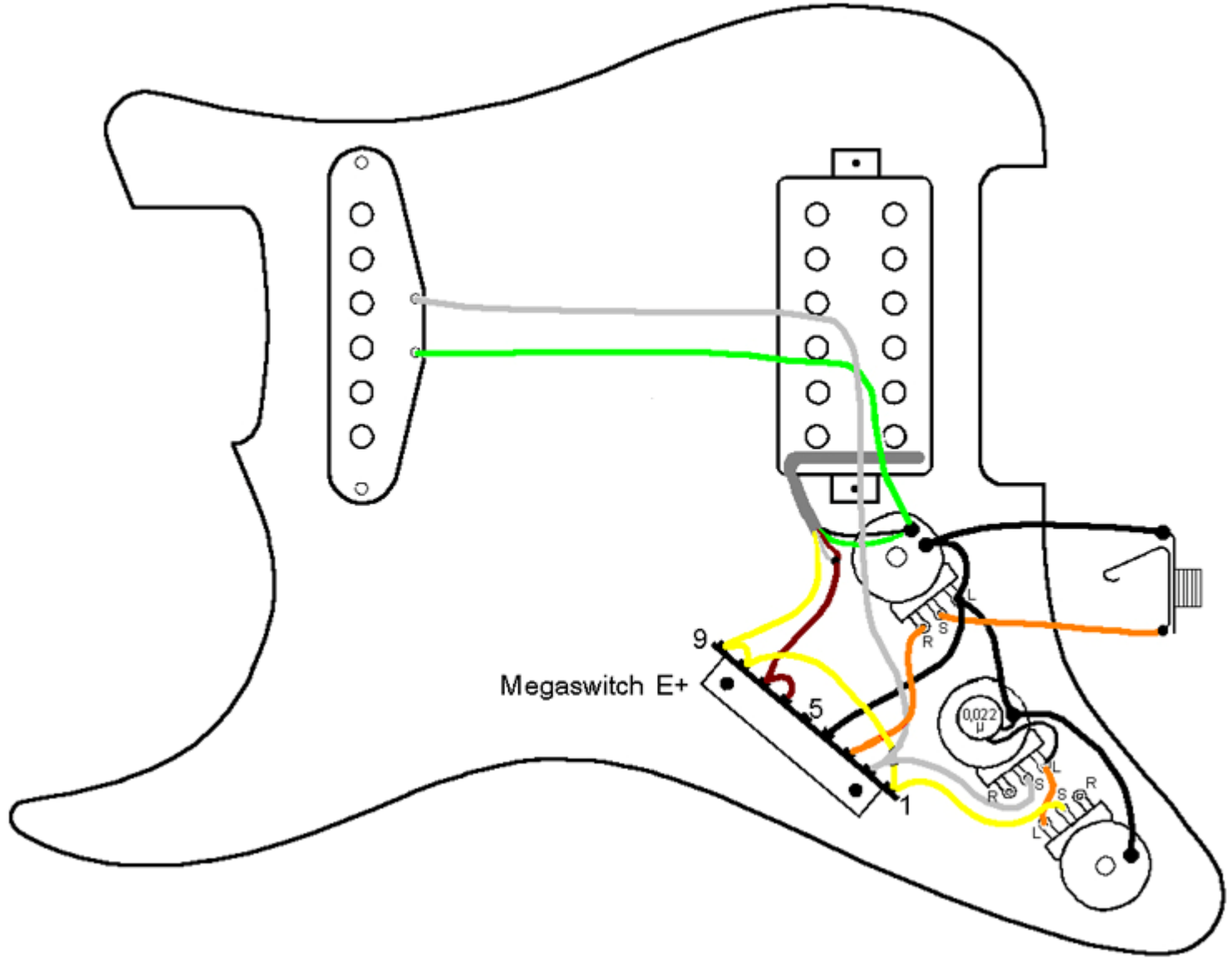
L

HS3

This switching system is for guitars with a Humbucker on the bridge and a single coil on the neck and allows the Humbucker to be split while the inner coil remains active. The outer coil is short-circuited. When a buzz-free signal is required in position 3, brummfrei sein soll, the magnetic poliarity must be either NS-N or SN-S. A Megaswitch E+ is required here.

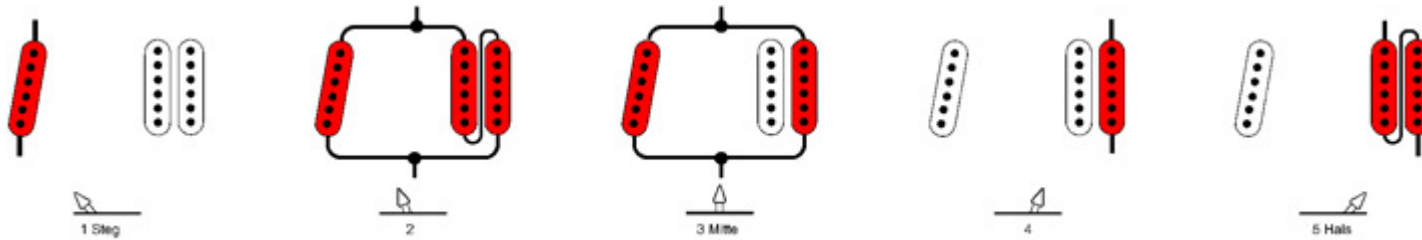


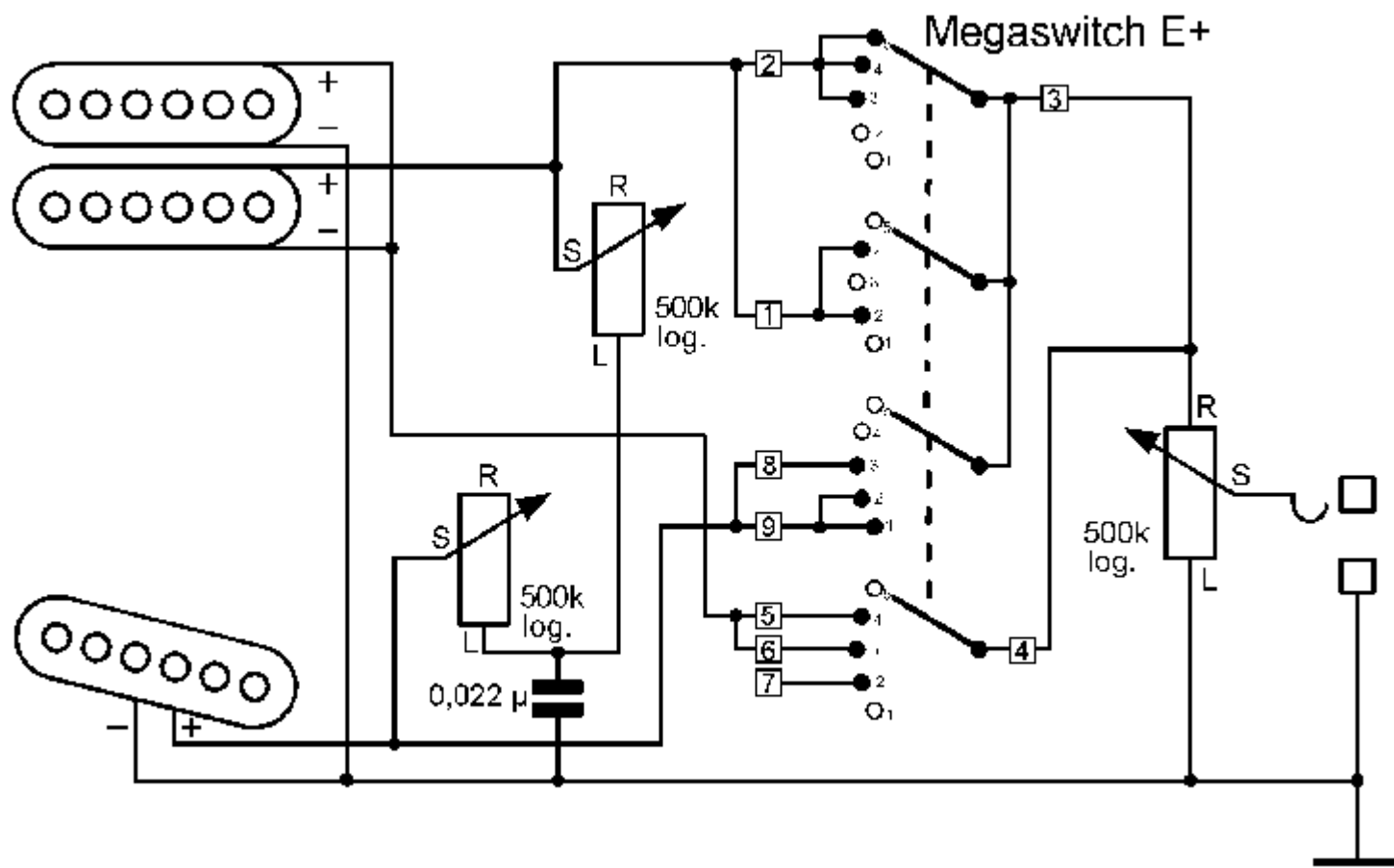


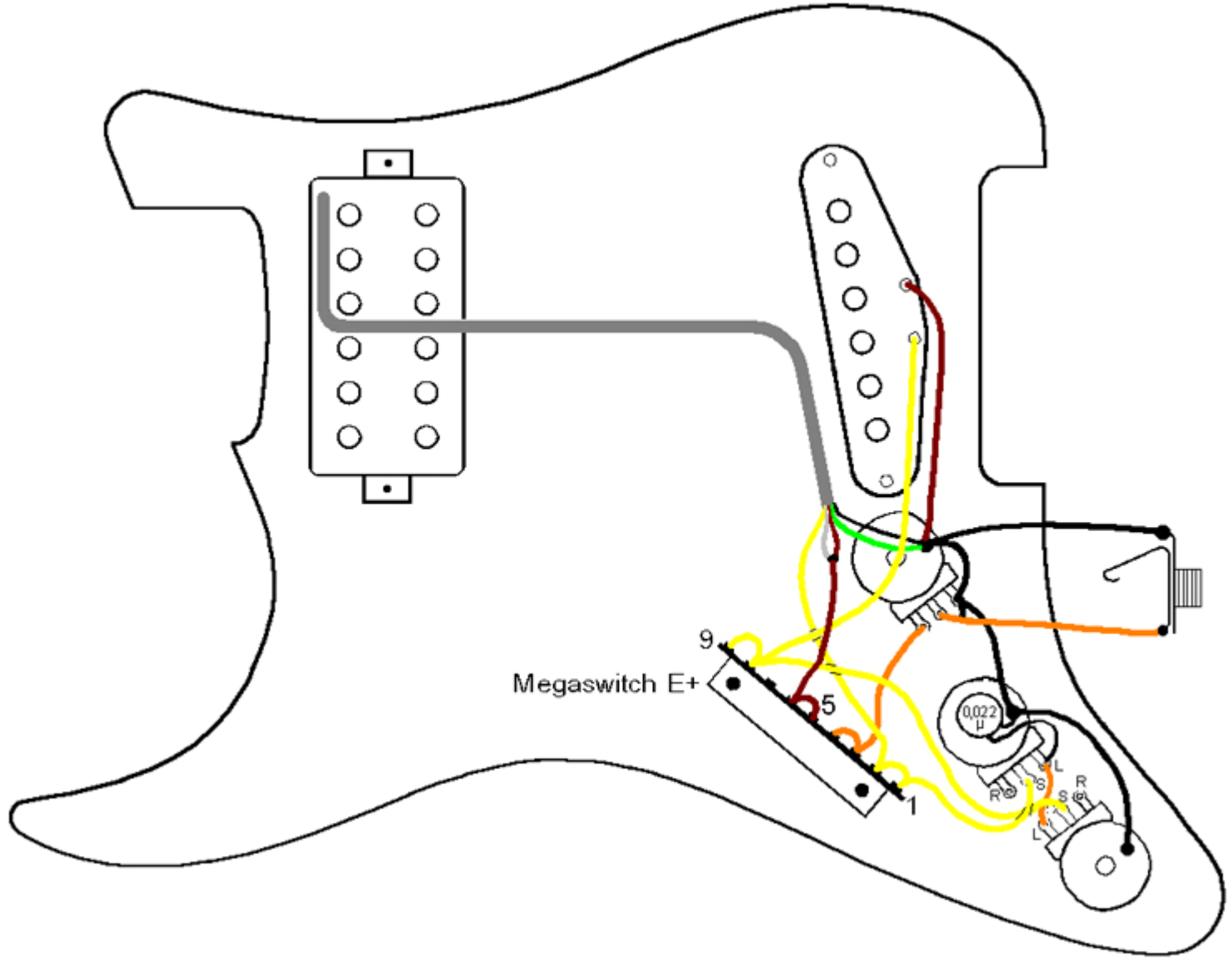


SH2

This switching system is for guitars with a single coil on the bridge and a Humbucker on the neck. The Humbucker can be split while the outer coil remains active. The inner coil is short-circuited. The Megaswitch E+ is ideal for this purpose. Position 3 is buzz-free when the magnetic polarity is configured as follows: S-SN or N-NS.







Megaswitch E+

9

5

1

0.022
 μ

70
50
30
10

L
R

SH3

This switching system is for guitars with a single coil on the bridge and a Humbucker on the neck. The Humbucker can be split while the inner coil remains active. The outer coil is short-circuited. The Megaswitch E+ is ideal for this purpose. Position 3 is buzz-free when the magnetic polarity is configured as follows: N-SN or S-NS.

